

Reliable Pumps Consultants PRESSURE RELIEF VALVES



Pressures from 12,500 to 18,000 PSI

Hi-Flow Model



Application/Features:

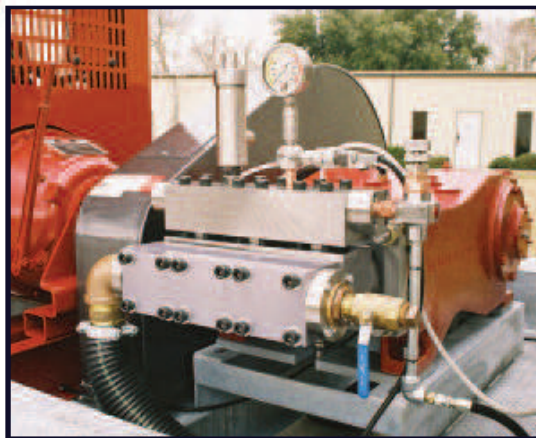
The Reliable Pumps Consultants Pressure Relief Valve was designed specifically for the water jetting industry. It is standard on all Reliable Pumps pumping equipment up to 18,000 PSI for the temporary relief of excess system pressure. It will fit most other major brands of water jetting equipment without adapters or modifications. The unit can be easily overhauled in the field or sent to our service center for repair and recalibration.

*Please specify set pressure when ordering.

Standard Model #5532145
(up to 15 PSI @ 50 GPM)

Hi-Flow Model #5532155
(up to 10 PSI @ 150 GPM)

Standard Model



Shown in context, the Reliable Pumps Pressure Relief Valve is an integral part of your waterjet pumping system.

RELIABLE PUMPS CONSULTANTS

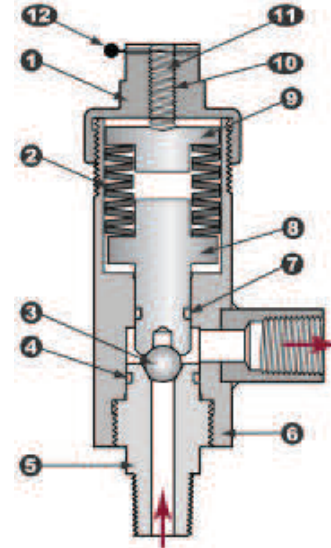
5404 Cedar Crest, Houston, Texas 77087 Ph: 713-640-2718 Fax: 713-640-1604 Web: reliablepumps.com

ITEM	DESCRIPTION:	PART NO.
ASSY.	15K RELIEF VALVE, COMPLETE	55-32145
1	COVER, RELIEF VALVE	55-32150
2	SPRING, BELLEVILLE, 40-20.4-2.5 C	25-78048
3	BALL, 1/2" TUNGSTEN CARBIDE	31-77098
4	O-RING, 1", 2-117-70	22-80296
5	SEAT, RELIEF VALVE	55-32146
6	BODY, RELIEF VALVE	55-32147
7	O-RING, 3/4", 2-113-70	22-80126
8	BALL SUPPORT	55-32148
9	SPRING PLATE	55-32149
10	SET SCREW, OVAL POINT, 3/8"-16 x 1"	16-15307-001
11	SET SCREW, FLAT POINT, 3/8"-16 x 1"	16-15191
12	SEAL, BLANK LEAD & WIRE	10-50105

ITEM	DESCRIPTION:	PART NO.
KIT	15K RELIEF VALVE REPAIR KIT	55-32145-900
2	BALL, 1/2" TUNGSTEN CARBIDE	31-77098
3	O-RING, 1", 2-117-70	22-80296
4	SEAT, RELIEF VALVE	55-32146
6	O-RING, 3/4", 2-113-70	22-80126

RELIEF VALVE: 50 GPM MAX. FLOW

1/2" I.D. Inlet
Specify Pressure up to 15,000 PSI
Also Available in Viton



ITEM	DESCRIPTION:	PART NO.
ASSY.	10K SHF RELIEF VALVE	55-32155
1	COVER, RELIEF VALVE	55-32160
2	SPRING, BELLEVILLE 60-30.5-3.5MM, CS	25-78047
3	BALL, 1" TUNGSTEN CARBIDE	31-77097
4	O-RING, 1-5/8", 2-127-70	22-80295
5	SEAT, RELIEF VALVE, 1"	55-32171
6	BODY, RELIEF VALVE, 1"	55-32157
7	O-RING, 1", 2-117-70	22-80296
8	BALL SUPPORT	55-32158
9	SPRING PLATE	55-32159
10	SET SCREW, OVAL POINT, 5/8"-11 x 1-1/4"	16-15307
11	SET SCREW, FLAT POINT, 5/8"-11 x 1/2"	16-15192
12	SEAL, BLANK LEAD & WIRE	10-50105
13	ADAPTER, RELIEF VALVE, 1"	55-32172
14	O-RING, 3/4", 2-016-90	22-09213
15	BACK-UP RING, 3/4", 8-016	22-09218

ITEM	DESCRIPTION:	PART NO.
KIT	SHF RELIEF VALVE REPAIR KIT	55-32155-900
3	BALL, 1" TUNGSTEN CARBIDE	31-77097
4	O-RING, 1-5/8", 2-127-70	22-80295
7	O-RING, 1", 2-117-70	22-80296
5	SEAT, RELIEF VALVE, 1"	55-32171
14	O-RING, 3/4", 2-016-90	22-09213
15	BACK-UP RING, 3/4", 8-016	22-09218

SUPER HI-FLOW RELIEF VALVE: 150 GPM MAX. FLOW

1" I.D. Inlet
Specify Pressure up to 10,000 PSI

